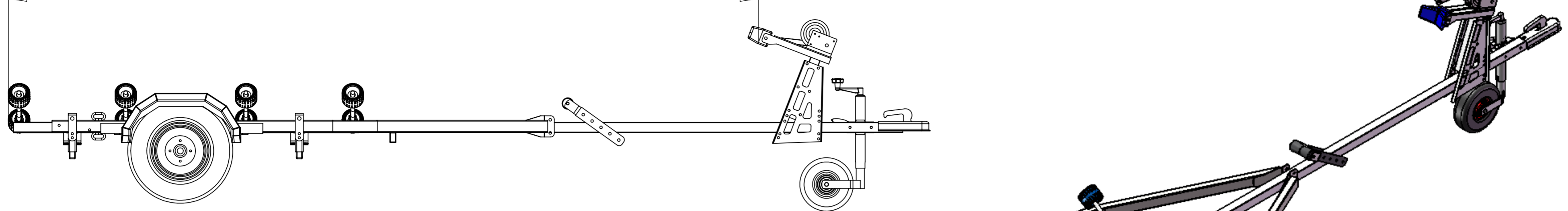
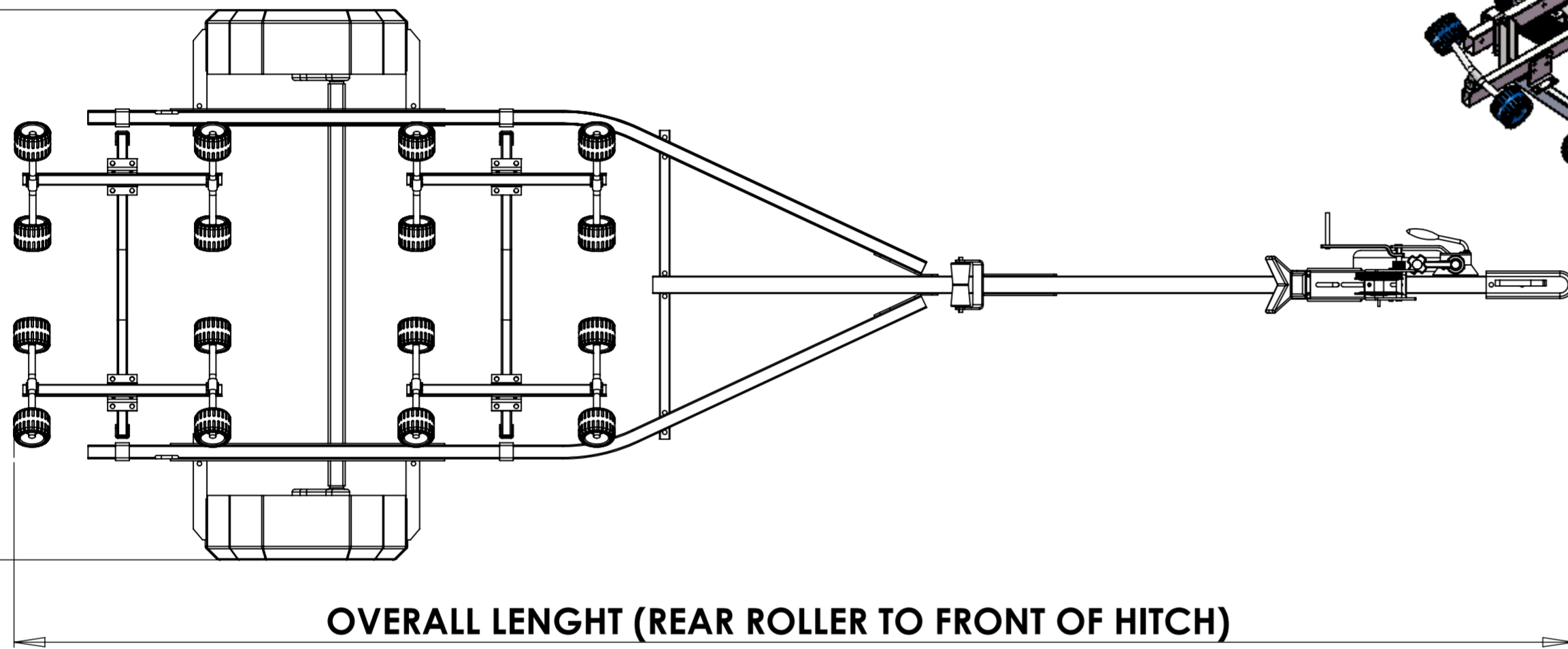


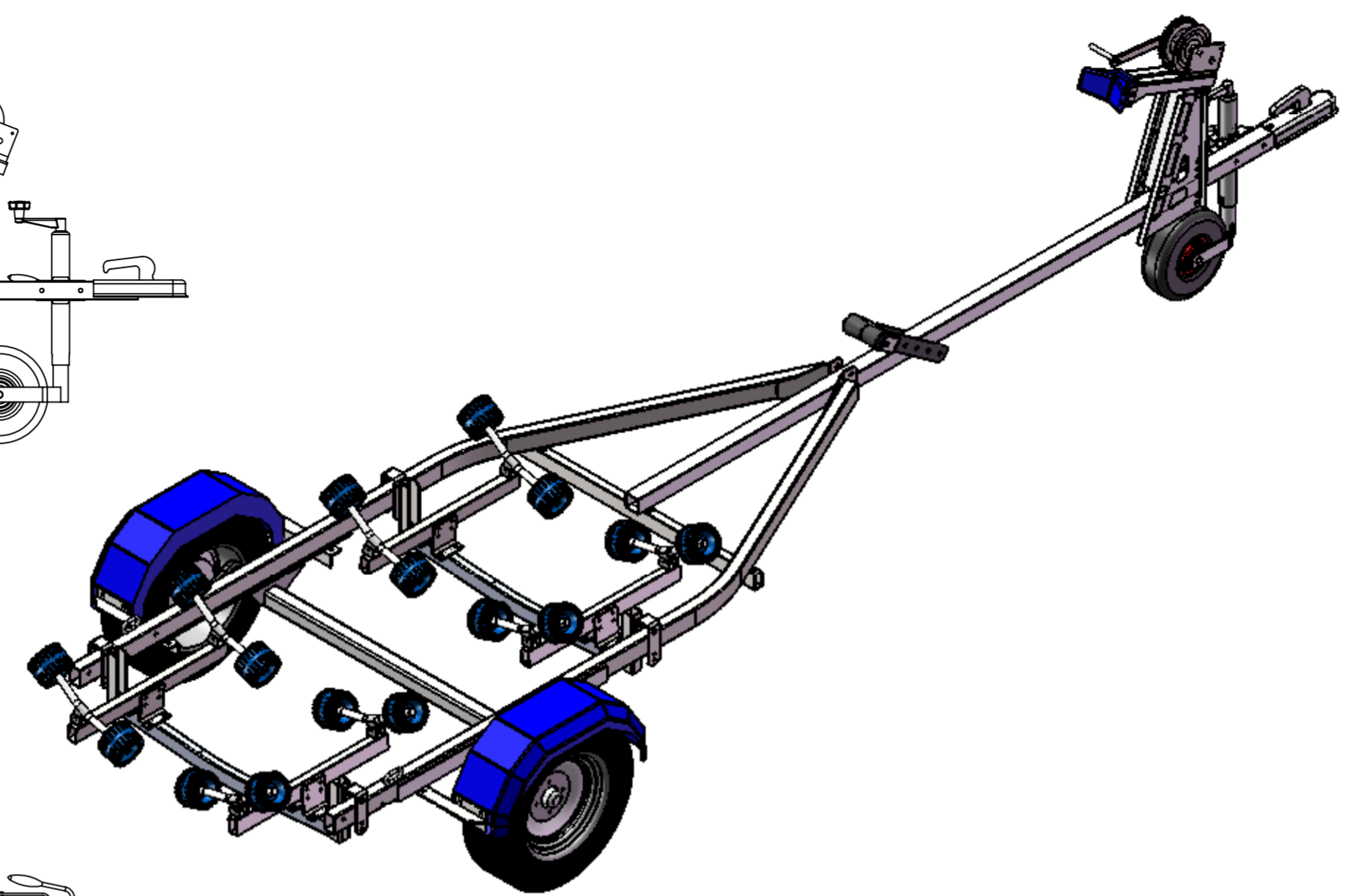
MAXIMUM CAPACITY LENGTH FROM REAR ROLLER TO BOW EYE



1605mm OVERALL WIDTH







OVERALL LENGHT (REAR ROLLER TO FRONT OF HITCH)



N FRAME MODEL SIZE	N2.5	N3.0	N3.5	N4.0	N4.5
OVERALL LENGHT (mm)	3460	3960	4460	4960	4560

N-FRAME SIZE GUIDE

   	Vault Project : 3D Models Path : C:\\$ SOLID WORKS LOCAL\		Page: Sheet1 of 1		
	Checked By/date : S.S.		Version: 001 01/03/2011		
	Weight:	Drawn By	Date	Type: ref	
	150.34	S.S.	01-03-2011	N-Frame Size Guide	